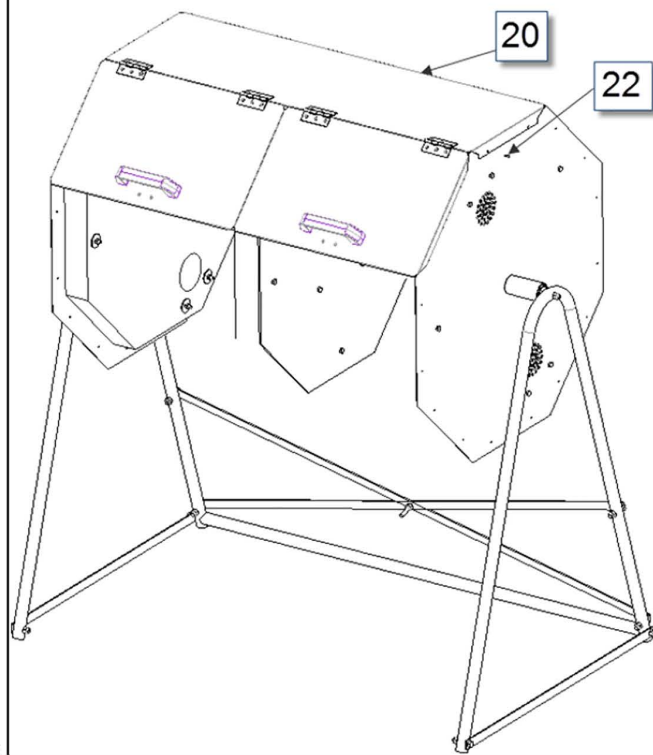
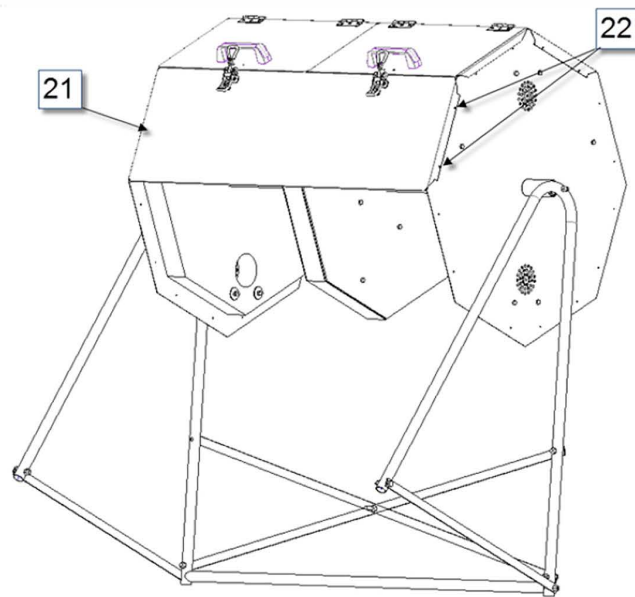


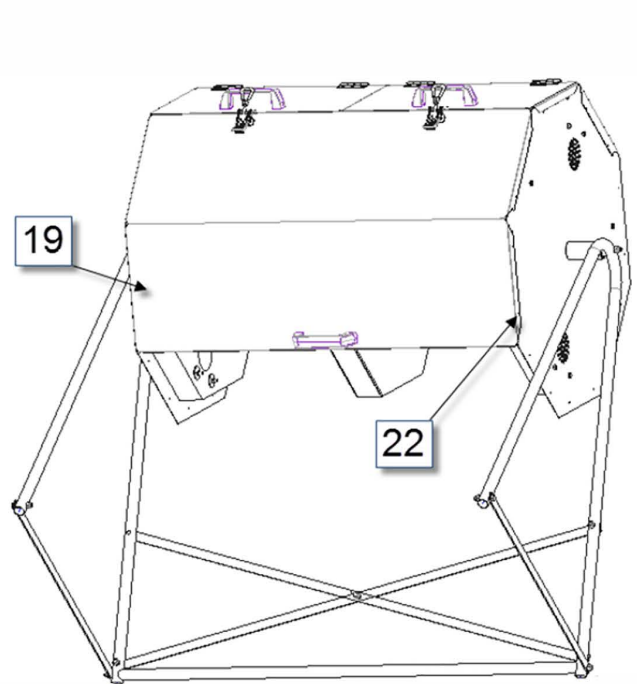
5



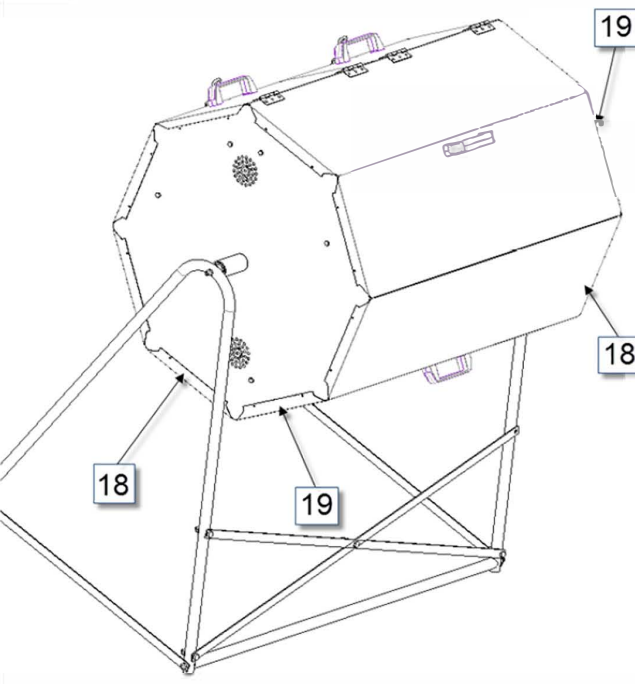
6



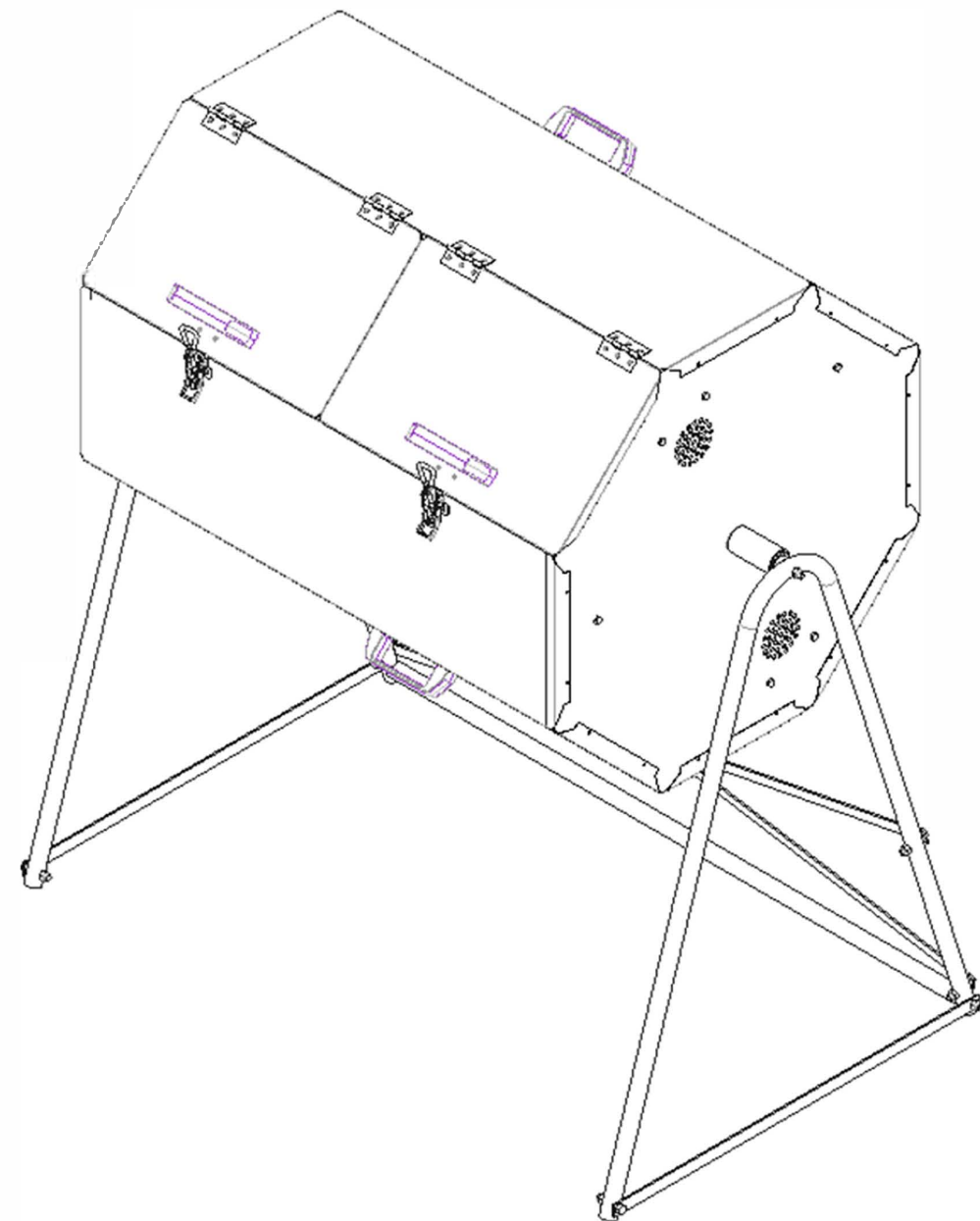
7



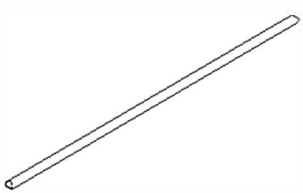
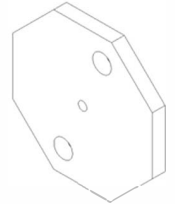


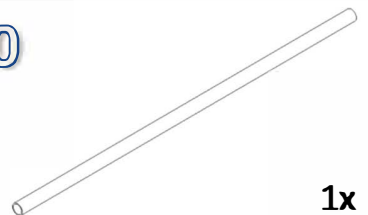
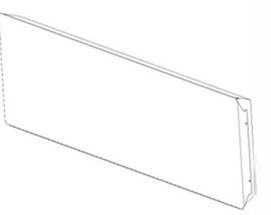
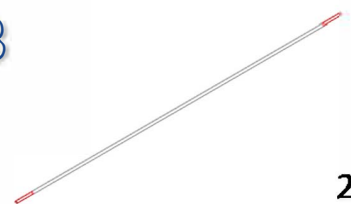
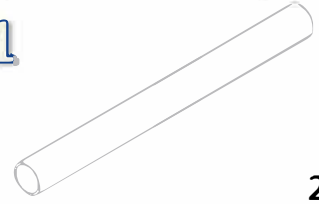
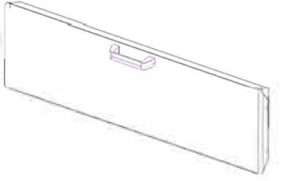


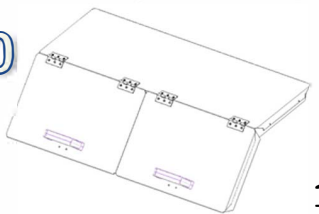
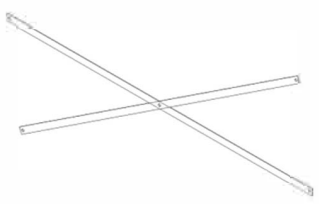

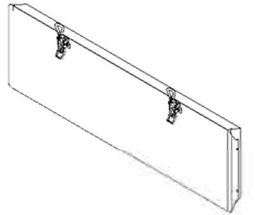
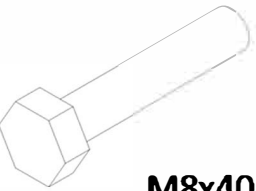
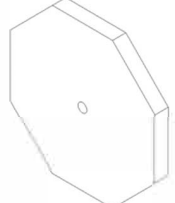
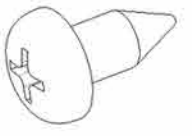

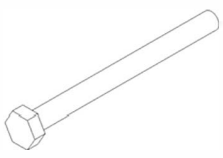
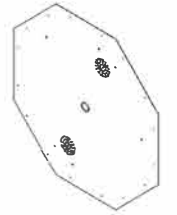

8



# Assembly Instruction JK 125



[www.joraform.com](http://www.joraform.com)

Parts JK125		
1  2x	9  2x	17  Plastic 12x
2  2x	10  1x	18  2x
3  2x	11  2x	19  3x
4  2x	12  2x	20  1x
5  1x	13  2x	21  1x
6  M8x40 6x	14  1x	22  28x
7  M8 10x	15  Plastic M6x70 16x	
8  2x	16  Plastic M6 16x	

**Tools needed:**

2 pc adjustable wrenches

1 pc torx bit (included) and suitable bit holder for this bit.

